

SUBMITTAL/TECHNICAL DATA SHEET



SPECIFICATIONS

01. Heavy duty forged stainless steel hinges with stainless steel pins
02. 1-1/2" Drain coupling
03. Standard slam lock
04. Automatic hold open arm
06. 1/4" Aluminum diamond pattern plate cover
07. 1/4" Aluminum channel frame with recessed anchors
08. Stainless steel lock strike
09. Stainless steel spring lifting mechanism

SHOP FINISH:

ALUMINUM: Mill finish
HARDWARE: Type 316 Stainless steel
(Unless otherwise specified)

Reinforced for 300 Lbs. Per Sq. Ft.
(1464 KG. Per Sq. Meter) live load

INSTALLER NOTES:

A. Use caution. Cover is spring loaded. Do not remove safety shipping bolt until unit is to be installed and in normal horizontal operating position.

B. Be sure unit is set on slight pitch toward drain corner.

C. Before anchoring in place open and close door. Check to see that the door in the closed position rests on the frame all around. If not, shim under the frame at the proper corner.

D. Do not reduce 1 1/2" drain pipe to dry well or disposal system.

E. Bend down anchors if required

For a complete list of options visit
www.AccessDoorsAndPanels.com

QTY	TYPE	SIZE WIDTH X LENGTH
<input type="checkbox"/>	J-1AL	2'-0" X 2'-0" [610mm] X [610mm]
<input type="checkbox"/>	J-2AL	2'-6" X 2'-6" [762mm] X [762mm]
<input type="checkbox"/>	J-3AL	3'-0" X 2'-6" [914mm] X [762mm]
<input type="checkbox"/>	J-4AL	3'-0" X 3'-0" [914mm] X [914mm]
<input type="checkbox"/>	J-5AL	3'-6" X 3'-6" [1065mm] X [1065mm]

SKU: **J 5AL**

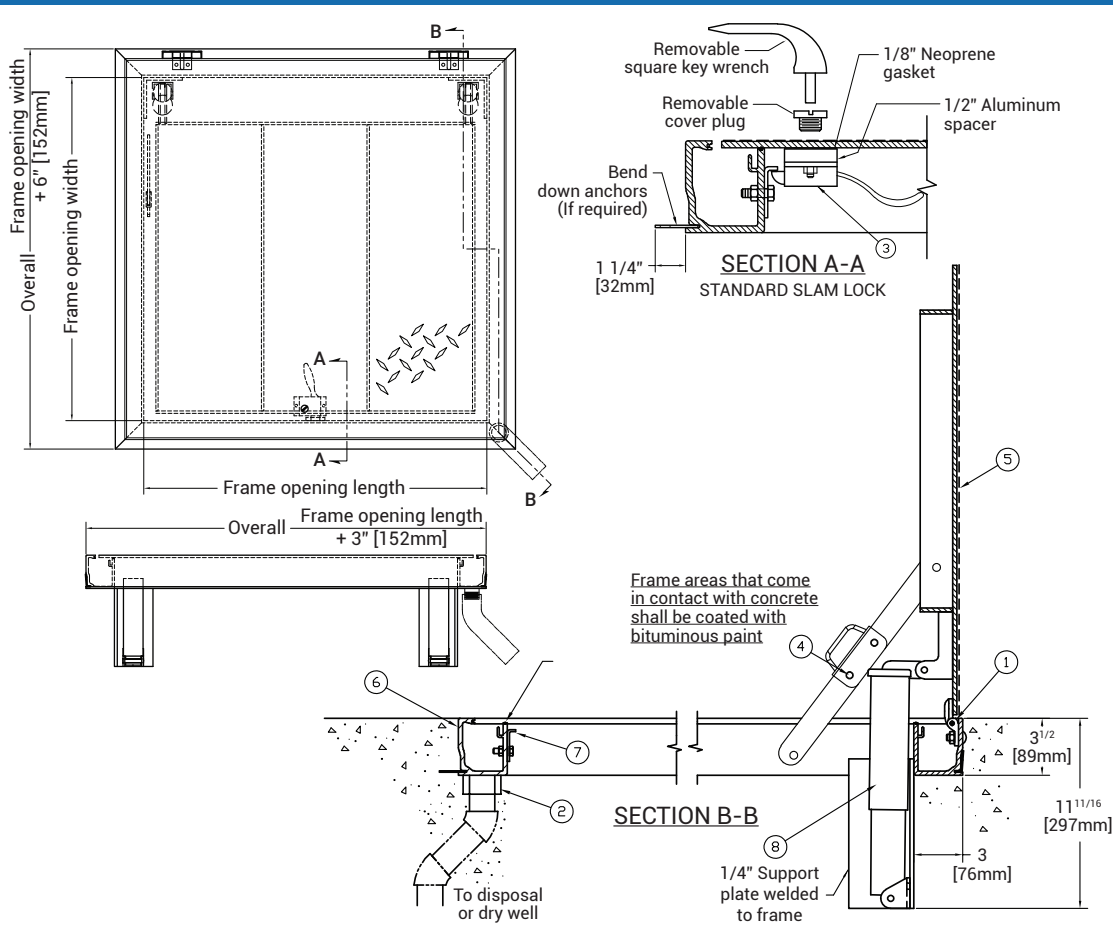
SINGLE LEAF ACCESS DOOR

TYPE J-AL - INTERIOR/EXTERIOR



DIMENSIONS AND APPEARANCE

>> CLICK TO VIEW ADDITIONAL DETAILS AND PRICING <<



PROJECT DATA

Custom Sizes Available - Fast!

PROJECT NAME :	QTY	W	H	OPTIONS
ARCHITECT :				
DEALER :				
CONTRACTOR :				
LOCATION :	SPECIAL INSTRUCTIONS :			
DATE :				
TAGGING INSTRUCTIONS :	SUBMITTAL APPROVAL : (signature or stamp)			

Scan or Click



To view Pricing and Additional Product Info.

TELEPHONE:
1-888-457-1275
FAX:
1-888-626-2907



PO BOX 66738 #76520,
SAINT LOUIS, MO
63166-6738
USA



WEBSITE:
www.AccessDoorsAndPanels.com
E-MAIL:
info@AccessDoorsAndPanels.com